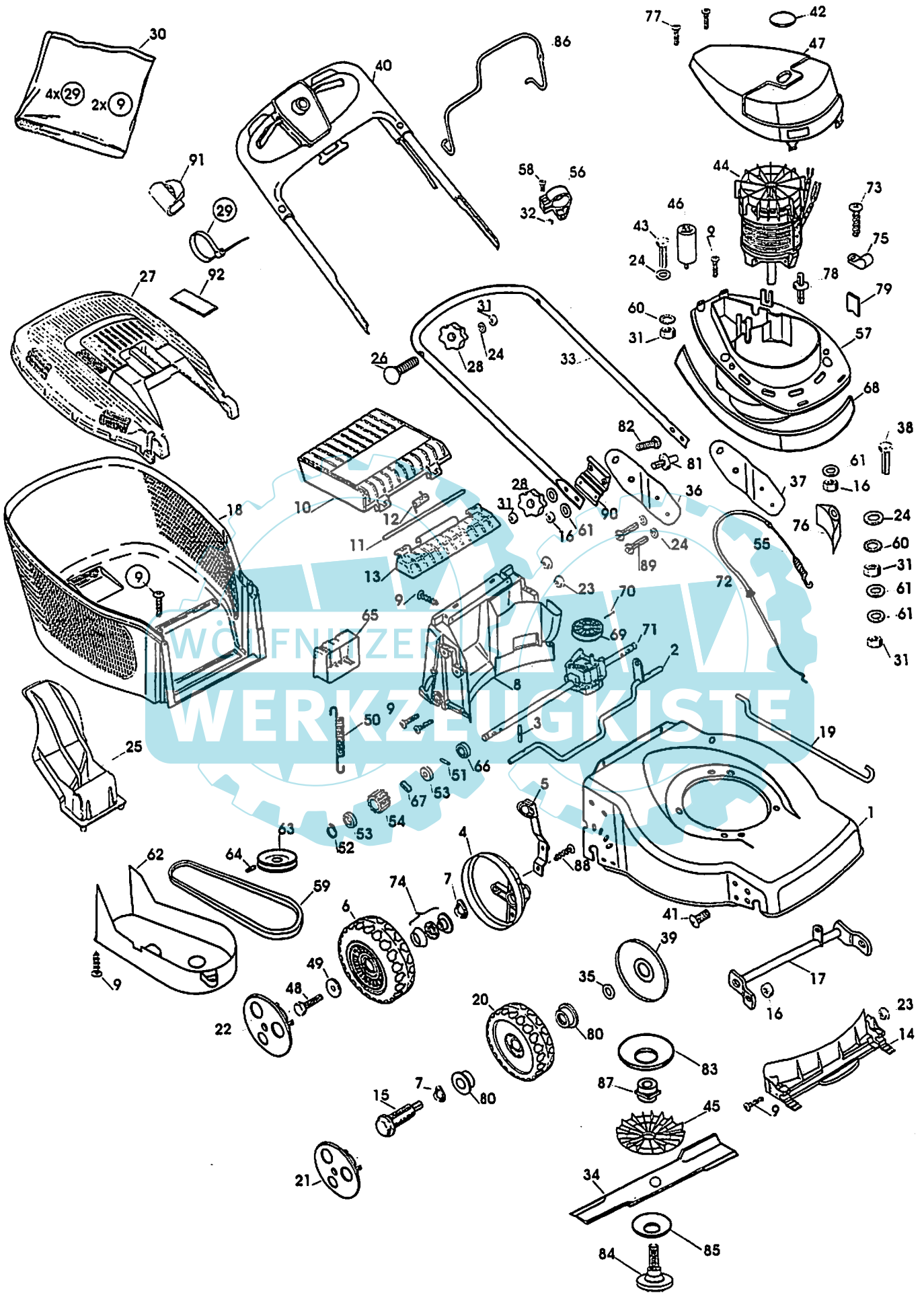


B024A

Ausgabe Issue 2000-1		Bild Nr. Picture No B024A		VARIOLUX 45 ECA		VARIOLUX 45 ECA		Seite Page 22	
Pos. Fig.	Anzahl/Quantity			Artikel Nr. Part No	Bezeichnung	Description	Satz Kit	Anmerkung Notes	
1	1			1117-1144-02	Chassie-rot .....	Deck-red .....			
2	1			1117-1173-01	Hinterachse .....	Shaft-backside .....			
3	2			9595-0212-00	Spannstift .....	Locating pin .....			
4	2			1117-1304-01	Raddeckel .....	Wheel protection cap .....			
5	1			1117-1174-01	Höheneinstellhebe .....	Height adjust lever .....			
6	2			1111-2665-01	Rad mit Kugellager .....	Wheel assy .....		Inkl. 74	
7	4			9694-0003-00	Scheibe .....	Washer .....			
8	1			1117-3008-01	Leitschiene-hintere .....	Baffle-rear .....			
9	18			9836-9516-12	Schraube .....	Screw .....			
10	1			1117-1156-02	Klappe-schwarz .....	Rear flap-black .....			
11	1			1117-1143-01	Achse .....	Shaft .....			
12	1			1117-1126-01	Feder .....	Spring-rear flap .....			
13	1			1117-1155-02	Klappehalterung-schw. ....	Flap holder-black .....			
14	1			1117-3007-01	Leitschiene-vordere .....	Baffle-front .....			
15	2			1111-3164-01	Radbolzen .....	Wheel axle bolt .....			
16	8			9716-0831-02	Mutter .....	Nut .....			
17	1			1117-1334-01	Vorderachse .....	Front shaft .....			
18	1			1117-1218-01	Behälter-Unterteil .....	Lower grass bag .....			
19	1			1117-1130-01	Höheneinstellstange .....	Connection rod .....			
20	2			1111-3163-01	Rad .....	Wheel .....			
21	2			1111-2804-06	Nabenkapsel-grau .....	Hub cap-grey .....			
22	2			1111-2815-06	Nabenkapsel-grau .....	Hub cap-grey .....			
23	6			1117-1131-01	Mutter .....	Nut .....			
24	7			9699-0028-02	Scheibe .....	Flat washer .....			
25	1			1117-3001-01	Mulcherpropfen .....	Mulch plug .....			
26	2			9898-0845-12	Schraube .....	Screw .....			
27	1			1117-1157-02	Behälterdeckel-schwarz .....	Grassbag cover-black .....		Inkl. 92	
28	4			1117-3194-01	Verriegelungsrad .....	Locking knob .....			
29	4			9579-0008-00	Kabelhalter .....	Cable holder .....			
30	1			1117-3028-01	Montagesatz .....	Assy kit .....			
31	8			9799-0831-02	Mutter .....	Nut .....			
32	1			9799-0631-02	Mutter .....	Nut .....			
33	1			1117-3198-01	Führungsholm-Untert. ....	Handle-lower part .....			
34	1			1117-3228-01	Messer .....	Blade .....			
35	2			9699-0078-02	Scheibe .....	Washer .....			
36	1			1117-1310-01	Halter-rechts .....	Handle support-R.H. ....			
37	1			1117-1309-01	Halter-links .....	Handle support-L.H. ....			
38	1			9997-0880-16	Schraube .....	Screw .....			
39	2			1117-1161-01	Radschutz .....	Wheel protection .....			
40	1			1117-3211-01	Führungsholm m.Schalt .....	Handle upper w.switch .....		Inkl. 86 + 91	
40	1			1117-3214-01	Führungsholm m.Schalt .....	Handle upper w.switch .....		Die Schweiz	
41	2			9865-0816-16	Schraube .....	Screw .....			
42	1			1117-1357-01	- Fenster .....	- Window for cap .....			
43	2			9997-0870-16	Schraube .....	Screw .....			
44	1			1117-1368-01	El.Motor .....	El.motor .....			
45	1			1117-1299-01	Ventilator .....	Impeller .....			
46	1			9400-0224-00	Kondensator .....	Capacitor .....			
47	1			1117-1386-02	Motorhaube-schwarz .....	Motor cover-black .....		Inkl. 42	
48	2			9997-0614-16	Schraube .....	Screw .....			
49	2			1117-1175-01	Scheibe .....	Washer .....			
50	1			1117-1120-01	Feder .....	Spring .....			
51	2			9591-0011-00	Stift .....	Pin .....			
52	2			1117-1083-01	Schließring .....	Safety ring .....			
53	4			1111-2830-01	Stützscheibe .....	Support washer .....			
54	2			1111-3075-01	Zahnrad .....	Gear wheel .....			
55	1			1117-1367-01	Regulierdraht .....	Control cable .....			
56	1			1117-1114-01	Drahthalter .....	Support .....		Inkl. 72	
57	1			1117-1372-02	Motorgehäuse-schwarz .....	Motor mount-black .....			
58	1			9865-0616-16	Schraube .....	Screw .....			
59	1			1117-3017-01	Keilriemen .....	V-belt .....			
60	3			9678-0009-02	Schloßscheibe .....	Lock washer .....			
61	10			9699-0062-02	Scheibe .....	Flat washer .....			
62	1			1117-1147-01	Riemenschutz .....	Transmission cap .....			



B024A

Ausgabe Issue		Bild Nr. Picture No		VARIOLUX 45 ECA		VARIOLUX 45 ECA		Seite Page	
2000-1		B024A						24	
Pos. Fig.	Anzahl/Quantity			Artikel Nr. Part No	Bezeichnung	Description	Satz Kit	Anmerkung Notes	
63	1			1117-1122-01	Riemenscheibe .....	Pulley .....			
64	1			9907-0610-16	Schraube .....	Screw .....			
65	1			1111-2927-01	Batteriehalter .....	Battery holder .....			
66	2			9549-0043-00	Kugellager .....	Ball bearing .....			
67	2			1111-2827-01	Treibkeil .....	Drive key .....			
68	1			1117-1373-02	Motorschutz-schwarz .....	Motor cover-black .....			
69	1			1117-3018-01	• Riemenscheibe .....	• Pulley .....			
70	1			1111-2382-01	• Stift .....	• Pin .....			
X 71	1			1117-3227-01	Getriebe kpl .....	Transmission assy .....		Inkl. 69 + 70	
72	1			1134-3203-04	• Kabelhülse .....	• Cable protector .....			
73	1			9849-7819-16	Schraube .....	Screw .....			
74	1			1111-9047-01	• Kugellagersatz .....	• Ball bearing kit .....			
75	1			1117-1245-01	Kabelklemme .....	Cable clamp .....			
76	3			1117-1361-01	Motorstütz .....	Motor support .....			
77	2			9836-9116-12	Schraube .....	Screw .....			
78	4			1117-1112-01	Bolzen .....	Bolt .....			
79	1			1117-1359-01	Klemme .....	Clamp .....			
80	4			9549-0053-00	Kugellager .....	Ball bearing .....			
81	2			1117-1267-01	Bolzen .....	Bolt .....			
82	2			9898-0835-12	Schraube .....	Screw .....			
83	1			1117-1358-01	Schutz .....	Motor shaft protectio .....			
X 84	1			1111-9715-01	Messerbolzen .....	Blade bolt .....			
85	1			1117-1111-01	Messerscheibe .....	Disc washer .....			
86	1			1117-1378-01	• Bügel .....	• Control handle .....			
87	1			1117-1151-01	Messerhalter .....	Blade mount .....			
88	2			9836-9512-12	Schraube .....	Screw .....			
89	4			1117-1364-01	Schraube .....	Screw .....			
90	2			1117-1192-01	Isolierplatte .....	Isolation .....			
91	2			1117-1363-01	• Stütz .....	• Handle support .....			
92	1			1117-1135-02	Deckel-schwarz .....	Cover-black .....			